

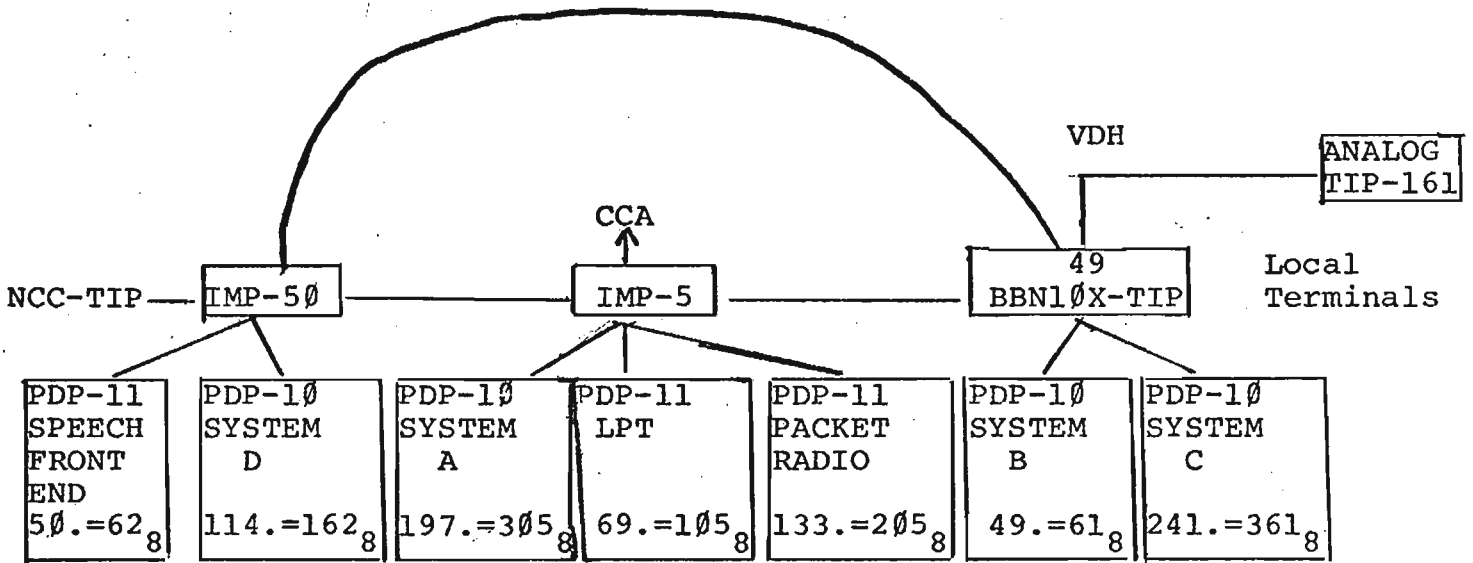
MEMORANDUM

To: All TENEX Users
 From: S.G. Chipman
 Subject: Host Ports

RECEIVED
 JAN 02 1975
 Postel

Date: DEC 74

The following is the approved scheme to connect our computers to the network. This configuration will become effective December 18, 1974.



All host interfaces are local (except host number 005 which is an easily convertible local/distant interface and we have been asked by Div 6 to avoid using it so Div 6 can more easily check out PDP-10 IMP interfaces). The PDP-11 with the line printer is intentionally on host 105 so that a simple minded program can respond when someone tries to ICP to its logger socket "To login to BBN (System C) use host number 241(10)".